

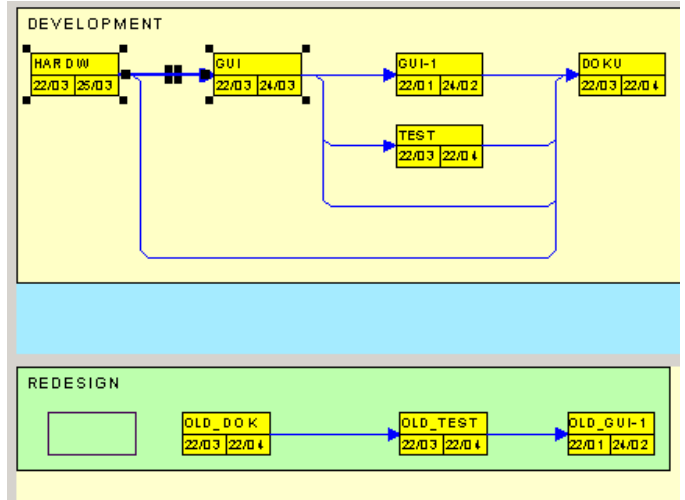
New in VARCHART XNet Version 2.9

OLE Drag & Drop

Drag nodes and links into another instance of VARCHART XNet or into e.g. an instance of VAR-CHART XTree or VARCHART XGantt.

The Drag&Drop mode can be individually configu- red.

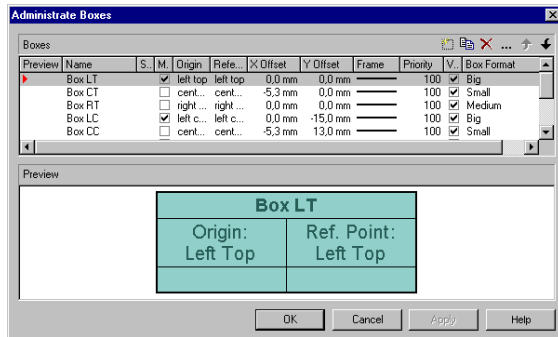
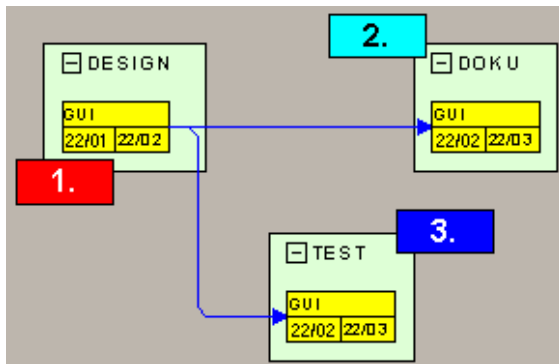
Additionally you can display the phantom and your own mouse cursor.



Text and Graphics Boxes

Place text or graphics boxes in the diagram in order to display additional information.

The boxes can be moved interactively and edited at run time. Via the new objects VcBox, VcBox-Collection etc. you can access the boxes at run time.



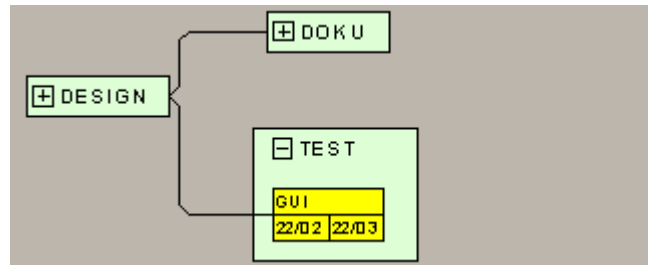
Grouping Mode Clustering

You can select between displaying the groups as usual or displaying them in the new clustering mode. Decide whether nodes without grouping code are to be combined to group.

Via the property page "Grouping" you can allow collapsing and moving nodes interactively. These possibilities are available at run time too.

New in the API:

VcNet.GroupInteractionsAllowed,
VcGroup.Collapsed,
VcNet.UngroupedNodesAllowed,
VcGroup.X, VcGroup.Y, VcNet.GroupMode

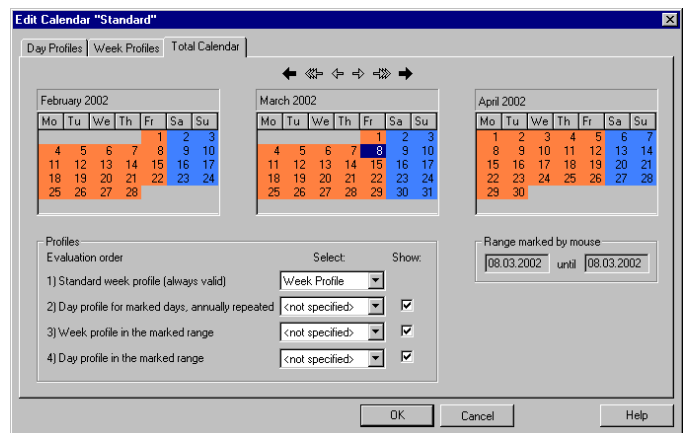


Calendar for the Scheduler

The calendar dialog box gives you an overview over the default calendar (WeekCalendar) and the day and week profiles. You can specify them individually and add or remove workfree days at run time. All modifications you make at run time will be considered by the scheduler.

New in the API:

VcCalendar, VcCalendarCollection, VcWorkday,
VcWorkdayCollection, VcWorkWeek,
VcWorkWeekCollection,
VcNet.WorkdayCollection,
VcNet.WorkweekCollection,
VcNet.CalendarCollection.



Further Enhancements

- Create a sub-net from all nodes marked at run time or interactively via filters.
- You can decide whether interface nodes are to be displayed in sub-nets or not.
- Dynamic field heights of the node annotations replace static specifications of the number of lines. You now can specify the minimum and maximum number of lines.
- For node formats you can specify fonts and font colors data-dependently via maps.
- With the help of a new dialog box you can specify link annotations.
- Zooming via the mouse wheel is possible now. You may decide whether the final user is allowed to use this possibility or not.
- Title and legend can be displayed.

Several new properties, methods and events have been added:

Properties:

VcFilterCollection.MarkedNodesFilter
VcGroup.Collapsed
VcNet.BoxCollection
VcNet.InterfaceNodesShown
VcNet.GroupNode
VcNet.GroupInteractionsAllowed
VcNet.UngroupedNodesAllowed

Methods:

VcGroup.SetXY

Events:

OnGroupCreate and OnGroupModify inform you when you create or modify a group.

NETRONIC Software GmbH
Pascalstrasse 15
52076 Aachen
Germany
Phone +49 24 08 141-0
Fax +49 24 08 141-33
Email sales@netronic.com
www.netronic.com